

**TITLE**

FUSELAGE - AVIONICS FAN SUPPORT SCREW INSPECTION

**EFFECTIVITY****MODEL**

182T

**SERIAL NUMBERS**

18283135 thru 18283149

**REASON**

During an inspection, the fan support assembly screws may not have been installed.

**DESCRIPTION**

This service document provides parts and instructions to inspect the screws of the aft avionics cooling fan support assembly and install if missing.

**NOTE:** The fan is not prone to failing.

**COMPLIANCE**

RECOMMENDED. This service document should be accomplished at a scheduled maintenance period or inspection.

A service document published by Textron Aviation may be recorded as *completed* in an aircraft log only when the following requirements are satisfied:

- 1) The mechanic must complete all of the instructions in the service document, including the intent therein.
- 2) The mechanic must correctly use and install all applicable parts supplied with the service document kit. Only with written authorization from Textron Aviation can substitute parts or rebuilt parts be used to replace new parts.
- 3) The mechanic or airplane owner must use the technical data in the service document only as approved and published.
- 4) The mechanic or airplane owner must apply the information in the service document only to aircraft serial numbers identified in the *Effectivity* section of the document.
- 5) The mechanic or airplane owner must use maintenance practices that are identified as acceptable standard practices in the aviation industry and governmental regulations.

No individual or corporate organization other than Textron Aviation is authorized to make or apply any changes to a Textron Aviation-issued service document or flight manual supplement without prior written consent from Textron Aviation.

Textron Aviation is not responsible for the quality of maintenance performed to comply with this document, unless the maintenance is accomplished at a Textron Aviation-owned Service Center.

**CONSUMABLE MATERIAL**

You must use the consumable materials that follow, or their equivalent, to complete this service document.

April 27, 2022

SEL-53-03  
Page 1 of 5

Textron Aviation Customer Service, P.O. Box 7706, Wichita, KS 67277, U.S.A. 1-316-517-5800

This document contains technical data and is subject to U.S. export regulations. This information has been exported from the United States in accordance with export administration regulations. Diversion contrary to U.S. law is prohibited. ECCN: 9E991

NAME	NUMBER	MANUFACTURER	USE
Color Chemical Film Treatment	U074093 (Alodine 1132 Touch n Prep)	Textron Aviation Parts Distribution 7121 Southwest Boulevard Wichita, KS 67215	To prepare bare aluminum surface for intermediate primer. Bonderite M-CR 1132, (formerly the Alodine 1132 Touch-n-prep) are both approved for small touch up areas, generally less than 6 inches square.)
Corrosion Resistant Epoxy Primer	K000574 (2oz kit)	Textron Aviation Parts Distribution 7121 Southwest Boulevard Wichita, KS 67215	Touch up primer kit.

**TOOLING**

No specialized tooling is required to complete this service document.

**REFERENCES**

Model 182 (Series 1997 And On) Maintenance Manual

**PUBLICATIONS AFFECTED**

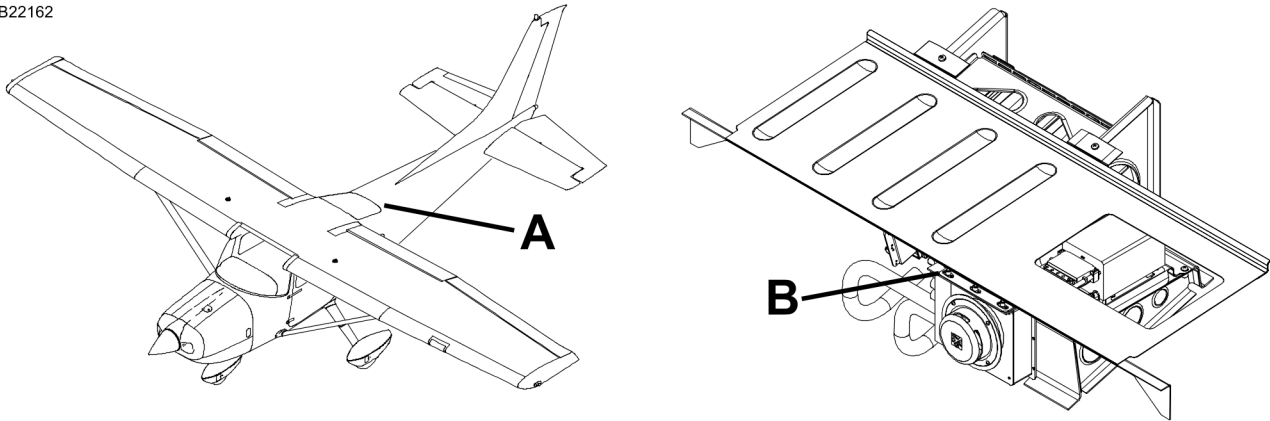
None

**ACCOMPLISHMENT INSTRUCTIONS**

1. Prepare the airplane for maintenance.
  - A. Make sure that the airplane is electrically grounded.
  - B. Make sure that all switches are in the OFF/NORM position.
  - C. Disconnect electrical power from the airplane.
    - (1) Disconnect external electrical power.
    - (2) Disconnect the airplane battery.
  - D. Attach maintenance warning tags to the battery and external power receptacle that have **"DO NOT CONNECT ELECTRICAL POWER - MAINTENANCE IN PROGRESS"** written on them.
2. Remove the aft baggage upholstery panel. (Refer to the Model 182 (Series 1997 And On) Maintenance Manual, Chapter 25, Interior Upholstery - Maintenance Practices.)
3. (Refer to Figure 1, Sheet 1.) Do an inspection of the screws in the aft avionics cooling fan support assembly as follows:
  - A. If the screws are installed, go to Step 4.
  - B. If the screws are not installed, then do as follows:
    - (1) Remove the remote avionics cooling fan. (Refer to the Model 182 (Series 1997 And On) Maintenance Manual, Chapter 21, Avionics Cooling - Maintenance Practices.)
    - (2) Match drill the two 0.193 inch diameter holes of the fan support assembly into the luggage support assembly.
    - (3) Apply U074093 Color Chemical Film Treatment to the areas that were drilled. (Refer to the Model 182 (Series 1997 and On) Maintenance Manual, Chapter 20, Interior/Exterior Finish - Cleaning/Painting.)
    - (4) Apply K000574 Corrosion Resistant Primer to the areas that were drilled. (Refer to the Model 182 (Series 1997 and On) Maintenance Manual, Chapter 20, Interior/Exterior Finish - Cleaning/Painting.)

- (5) Install two MS35206-245 Screws to attach the fan support assembly to the luggage self support assembly.
  - (6) Install the remote avionics cooling fan. (Refer to the Model 182 (Series 1997 And On) Maintenance Manual, Chapter 21, Avionics Cooling - Maintenance Practices.)
4. Install the aft baggage upholstery panel. (Refer to the Model 182 (Series 1997 And On) Maintenance Manual, Chapter 25, Interior Upholstery - Maintenance Practices.)
5. Remove the maintenance warning tags and connect the airplane battery.
6. Make an entry in the airplane logbook that states compliance and method of compliance with this service document.

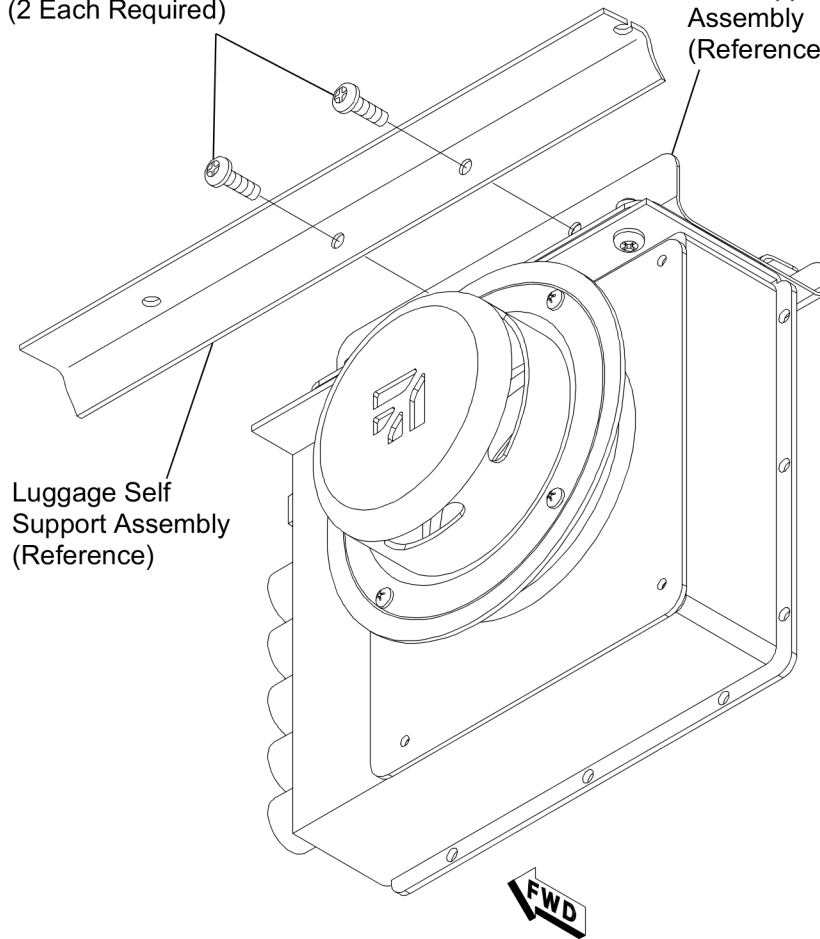
B22162



### DETAIL A

0.193 Inch-Diameter Hole  
MS35206-245  
Screw  
(2 Each Required)

Fan Support  
Assembly  
(Reference)



Luggage Self  
Support Assembly  
(Reference)

### DETAIL B

0710T1001  
A0718T1081

Figure 1. Fan Support Assembly Installation (Sheet 1)

## MATERIAL INFORMATION

Order the parts below to install this modification.

<b>NEW P/N</b>	<b>QUAN- TITY</b>	<b>KEY WORD</b>	<b>OLD P/N</b>	<b>INSTRUCTIONS/ DISPOSITION</b>
MS35206-245	2	Screw	N/A	Install

\* Please contact a Textron Aviation Authorized Service Facility for current cost and availability of parts listed in this service document.



**TITLE**

FUSELAGE - AVIONICS FAN SUPPORT SCREW INSPECTION

**TO:**

Cessna Aircraft Model 182T Owner

**REASON**

During an inspection, the fan support assembly screws may not have been installed.

**COMPLIANCE**

RECOMMENDED. This service document should be accomplished at a scheduled maintenance period or inspection.

**LABOR HOURS**

For planning purposes only:

WORK PHASE	LABOR-HOURS
Modification	1.5
Test and Inspection	1

**MATERIAL AVAILABILITY**

PART NUMBER	AVAILABILITY	COST
MS35206-245	*	*

\* Please contact a Textron Aviation Authorized Service Facility for current cost and availability of parts listed in this service document.

**WARRANTY**Eligible airplanes may qualify for parts and labor coverage to the extent noted in the *Labor Hours* and *Material Availability* sections of this document.This service document is *recommended*. Eligible airplanes may qualify for parts and labor coverage to the extent noted in the *Labor Hours* and *Material Availability* sections of this document.

April 27, 2022

SEL-53-03  
Page 1 of 2

Textron Aviation Customer Service, P.O. Box 7706, Wichita, KS 67277, U.S.A. 1-316-517-5800

This document contains technical data and is subject to U.S. export regulations. This information has been exported from the United States in accordance with export administration regulations. Diversion contrary to U.S. law is prohibited. ECCN: 9E991

**Eligibility:** Airplanes identified within the serial number effectivity of this service document must have active Airframe warranty coverage on the original issue date of this document and the coverage must be active on the day the work is accomplished.

**Parts Coverage:** Textron Aviation-owned and Textron Aviation-authorized Service Facilities, operators, or other maintenance facilities may submit a claim for the parts required to accomplish this service document as defined in the *Material Availability* section of this document.

**Labor Coverage:** Textron Aviation-owned and Textron Aviation-authorized Service Facilities rated to perform maintenance on the specific model of Cessna Aircraft may submit a claim for the labor necessary to accomplish this service document as defined in the *Labor Hours* section of this document.

**Credit Application:** After this service document has been accomplished, a claim must be submitted to Textron Aviation within 30 days of the service document completion. Claims for compliance of this service document are to be filed as a W4 type claim.

Please submit your claim form online at [ww2.txtav.com/Parts](http://ww2.txtav.com/Parts) or email the completed Textron Aviation Claim Form to [warranty@txtav.com](mailto:warranty@txtav.com). If submitted on-line a Return Authorization will be provided. If a paper claim is submitted your claim will be entered into the system and a Return Authorization will be sent to you.

The Return Authorization must accompany any required return parts (see *Material Availability*), to the point of purchase.

Parts to be returned to Textron Aviation Parts Distribution should be forwarded to:

Textron Aviation Parts Distribution  
Warranty Administration  
285 South Greenwich Road  
Bldg B89, Docks 1-4  
Wichita, KS 67206  
USA

**Expiration:** April 27, 2023

Textron Aviation reserves the right to void continued airplane warranty coverage for the parts affected by this service document until the service document is accomplished.

**NOTE:** As a convenience, service documents are now available online to all our customers through a simple, free-of-charge registration process. If you would like to sign up, please visit the Customer Access link at [www.txtavsupport.com](http://www.txtavsupport.com) to register.